

FITTINGS WITH NPT THREADS



DESCRIPTION:

Straight and 90° fittings with male metric thread according to EN 60423 connector for fixing the ends of flexible corrugated conduits to the cable entries on control panels, terminal boxes on electric motors, etc., in accordance with standard EN 60204 (Safety of Machinery). They are notable for their high tensile strength and tightness.

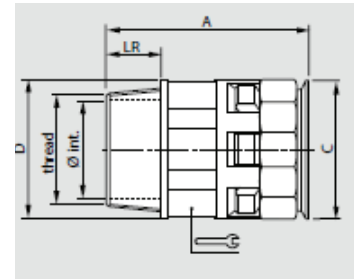
SPECIFICATIONS:

- Made of specially modified polyamide (PA6)
- Free of halogen, phosphorus and cadmium
- Self-extinguishing
- Shock-resistant
- Temperature range: -40°C to +105°C (150°C short term)
- IP66 protection (IP68/IP69 with O-Ring and Sealing Washer)
- “Easy-click” quick assembly and removal of the conduit without tools
- Color: Black

NPT THREAD STRAIGHT FITTINGS



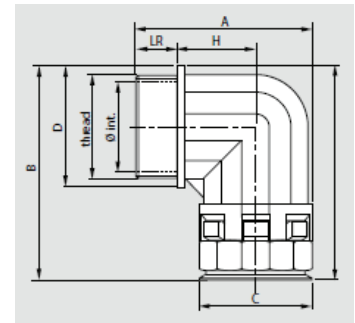
Size NW	Item ID	Thread Size	Dimensions mm (inches)				Std. Pkg.
			Ø INT	A	C	D	
17	AFN0-17N050B	NPT ½	14.5 (0.571)	46 (1.811)	31 (1.220)	30 (1.181)	100
23	AFN0-23N075B	NPT ¾	19.5 (0.768)	50 (1.969)	37 (1.457)	37 (1.457)	50
29	AFN0-29N100B	NPT 1	25.0 (0.984)	53 (2.087)	46 (1.811)	46 (1.811)	30
36	AFN0-36N125B	NPT 1¼	34.5 (1.358)	59 (2.323)	54 (2.126)	54 (2.126)	20
48	AFN0-48N150B	NPT 1½	40.5 (1.595)	60 (2.362)	69 (2.717)	69 (2.717)	10



NPT THREAD 90° FITTINGS



Size NW	Item ID	Thread Size	Dimensions mm (inches)				Std. Pkg.
			Ø INT	A	B	C	
17	AFN9-17N050B	NPT ½	14.5 (0.571)	47 (1.850)	58 (2.284)	30 (1.181)	50
23	AFN9-23N075B	NPT ¾	19.5 (0.768)	55 (2.165)	66 (2.599)	36 (1.417)	30
29	AFN9-29N100B	NPT 1	25.0 (0.984)	67 (2.638)	76 (2.992)	45 (1.772)	10
36	AFN9-36N125B	NPT 1¼	34.5 (1.358)	78 (3.071)	89 (3.504)	54 (2.126)	10
48	AFN9-48N150B	NPT 1½	40.5 (1.595)	91 (3.583)	103 (4.055)	68 (2.677)	5
48	AFN9-48N200B	NPT 2	50.0 (1.969)	91 (3.583)	104 (4.095)	68 (2.677)	5



Lock nuts are NOT included with fittings.

FITTINGS WITH METRIC THREADS



DESCRIPTION:

Straight and 90° fittings with male metric thread according to EN 60423 connector for fixing the ends of flexible corrugated conduits to the cable entries on control panels, terminal boxes on electric motors, etc., in accordance with standard EN 60204 (Safety of Machinery). They are notable for their high tensile strength and tightness.

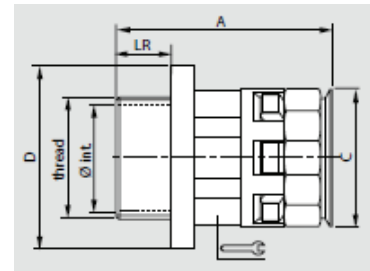
SPECIFICATIONS:

- Made of specially modified polyamide (PA6)
- Free of halogen, phosphorus and cadmium
- Self-extinguishing
- Shock-resistant
- Temperature range: -40°C to +105°C (150°C short term)
- IP66 protection (IP68/IP69 with O-ring and Sealing Washer)
- “Easy-click” quick assembly and removal of the conduit without tools
- Color: Black

METRIC THREAD STRAIGHT FITTINGS



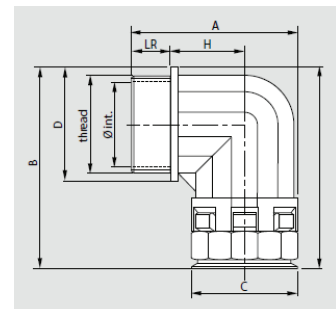
Size NW	Item ID	Thread Size	Dimensions mm (inches)				Std. Pkg.
			Ø INT	A	C	D	
7	AFN0-07M12B	M12x1.5	6.5 (0.256)	35 (1.378)	19 (0.748)	17 (0.669)	100
10	AFN0-10M16B	M16x1.5	10.0 (0.394)	37 (1.457)	21 (0.827)	21 (0.827)	100
12	AFN0-12M20B	M20x1.5	14.0 (0.551)	37 (1.457)	26 (1.024)	25 (0.984)	100
17	AFN0-17M20B	M20x1.5	14.5 (0.571)	44 (1.732)	31 (1.221)	30 (1.181)	100
23	AFN0-23N25B	M25x1.5	18.5 (0.729)	48 (1.890)	37 (1.457)	37 (1.457)	50
29	AFN0-29N32B	M32x1.5	25.5 (1.004)	52 (2.048)	46 (1.811)	46 (1.811)	30
36	AFN0-36M40B	M40x1.5	32.0 (1.260)	60 (2.362)	54 (2.126)	54 (2.126)	20
48	AFN0-48M50B	M48x1.5	42.0 (1.654)	61 (2.402)	69 (2.717)	69 (2.717)	10



METRIC THREAD 90° FITTINGS



Size NW	Item ID	Thread Size	Dimensions mm (inches)				Std. Pkg.
			Ø int	A	B	C	
12	AFN9-12M20B	M20x1.5	12.3 (0.484)	39 (1.535)	45 (1.772)	25 (0.984)	50
17	AFN9-17M20B	M20x1.5	14.5 (0.571)	45 (1.772)	58 (2.284)	30 (1.181)	50
23	AFN9-23M25B	M25x1.5	18.5 (0.728)	53 (2.087)	66 (2.599)	36 (1.417)	30
29	AFN9-29M32B	M32x1.5	25.5 (1.004)	66 (2.599)	76 (2.992)	45 (1.772)	20
36	AFN9-36M40B	M40x1.5	32.0 (1.260)	79 (3.110)	89 (3.504)	54 (2.126)	10
48	AFN9-48M50B	M50x1.5	42.0 (1.654)	92 (3.622)	103 (4.055)	68 (2.677)	10



Lock nuts are NOT included with fittings.

FITTINGS WITH METRIC METALLIC THREADS



DESCRIPTION:

With similar characteristics to the standard polyamide connectors, the male metal metric thread connectors are notable for their higher mechanical resistance, being recommended in the most severe conditions. An internal plastic wall on the metal insert avoids a direct contact with the cables. Specially used in railway industry.

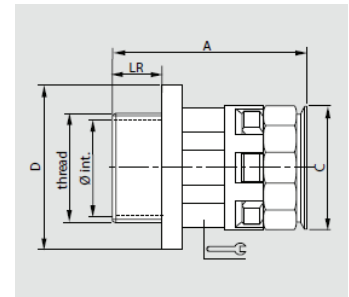
SPECIFICATIONS:

- Made of specially modified polyamide (PA6)
- Nickel-plated brass thread
- Free of halogen, phosphorus and cadmium
- Self-extinguishing
- Shock-resistant
- Temperature range: -40°C to +105°C (150°C short term)
- IP66 protection (IP68/IP69 with O-Ring and Sealing Washer)
- “Easy-click” quick assembly and removal of the conduit without tools
- Color: Black

METRIC METALLIC THREAD STRAIGHT FITTINGS



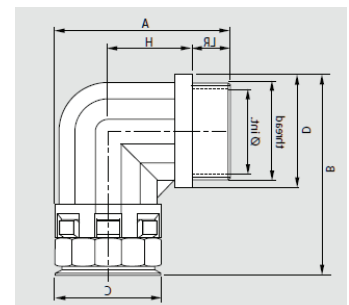
Size NW	Item ID	Thread Size	Dimensions mm (inches)				Std. Pkg.
			Ø INT	A	C	D	
12	AFM0-12M20B	M20x1.5	14.5 (0.571)	43 (1.693)	25 (0.984)	29 (1.142)	50
17	AFM0-17M20B	M20x1.5	14.5 (0.571)	47 (1.850)	30 (1.181)	29 (1.142)	30
23	AFM0-23M25B	M25x1.5	18.8 (0.740)	55 (2.165)	36 (1.417)	35 (1.378)	30
29	AFM0-29M32B	M32x1.5	25.8 (1.016)	56 (2.205)	44 (1.732)	43 (1.693)	20
36	AFM0-36M40B	M40x1.5	32.2 (1.268)	61 (2.402)	52 (2.048)	55 (2.165)	10
48	AFM0-48M50B	M50x1.5	42.0 (1.654)	62 (2.441)	69 (2.717)	67 (2.638)	10



METRIC METALLIC THREAD 90° FITTINGS



Size NW	Item ID	Thread Size	Dimensions mm (inches)				Std. Pkg.
			Ø int	A	C	D	
12	AFM9-12M20B	M20x1.5	14.1 (0.555)	44 (1.732)	47 (1.850)	25 (0.984)	50
17	AFM9-17M20B	M20x1.5	14.1 (0.555)	50 (1.969)	58 (2.284)	30 (1.181)	50
23	AFM9-23M25B	M25x1.5	18.5 (0.728)	57 (2.244)	65 (2.560)	36 (1.417)	30
29	AFM9-29M32B	M32x1.5	25.5 (1.004)	69 (2.717)	75 (2.958)	45 (1.772)	10
36	AFM9-36M40B	M40x1.5	32.0 (1.260)	79 (3.110)	92 (3.622)	54 (2.126)	10
48	AFM9-48M50B	M50x1.5	42.3 (1.665)	94 (3.701)	102 (4.016)	68 (2.677)	5



Lock nuts are NOT included with fittings.

FLANGE 90° FITTING



DESCRIPTION:

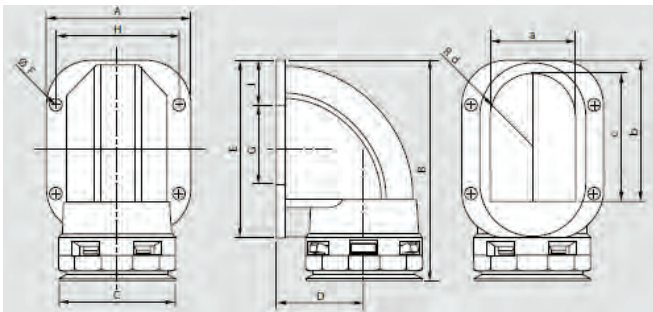
The flange connectors are useful for fixing the ends of flexible corrugated conduits to 90° cable entries in the interior of machines and for installations according to EN 60204 (Safety of Machinery). They are notable for their high tensile strength and tightness.

SPECIFICATIONS:

- Made of specially modified polyamide (PA6)
- Free of halogen, phosphorus and cadmium
- Self-extinguishing
- Shock-resistant
- Temperature range: -40°C to +105°C (150°C short term)
- IP66 protection (IP68/IP69 with O-Ring and Sealing Washer)
- “Easy-click” quick assembly and removal of the conduit without tools
- Color: Black

FLANGE 90° FITTINGS

Size NW	Item ID	Dimensions mm (inches)					Std. Pkg.
		A	B	C	D	E	
17	AFNF-17B	44 (1.732)	68 (2.677)	29 (1.142)	24 (0.945)	48 (1.890)	50
23	AFNF-23B	53 (2.087)	82 (3.228)	37 (1.457)	26 (1.024)	57 (2.244)	30
29	AFNF-29B	60 (2.3622)	89 (3.504)	45 (1.772)	32 (1.260)	66 (2.598)	10
36	AFNF-36B	70 (2.756)	104 (4.095)	53 (2.087)	38 (1.496)	76 (2.992)	10
48	AFNF-48B	80 (3.150)	118 (4.646)	67 (2.638)	46 (1.811)	82 (3.228)	5



Lock nuts are NOT included with fittings.



SUPPORT WITH LID



SPECIFICATIONS:

- Made of specially modified polyamide (PA6)
- Free of halogen, phosphorus and cadmium
- Self-extinguishing
- Shock-resistant
- With integrated lid
- Temperature range: -40°C to +105°C (150°C short term)

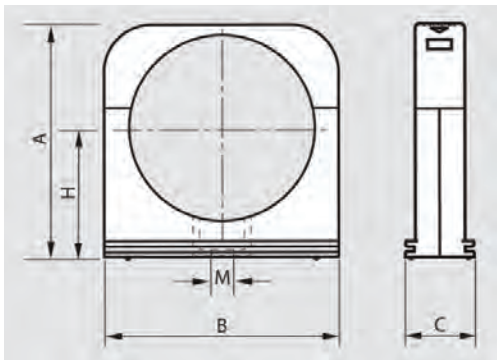
DESCRIPTION:

Supports with integrated lid for securing sections of corrugated conduits between the various parts of the electrical installation. With conduit entry guide.

Specially designed for demanding securing situations, (e.g. on ceilings)

SUPPORTS WITH INTEGRATED LIDS

Size NW	Item ID	Dimensions mm (inches)				Metric (m)	Std. Pkg.
		A	B	C	H		
7	ARNS-07NB	22 (0.866)	17 (0.669)	20 (0.787)	13 (0.512)	M4	100
10	ARNS-10NB	25 (0.984)	22 (0.866)	20 (0.787)	13 (0.512)	M5	100
12	ARNS-12NB	27 (1.063)	25 (0.984)	20 (0.787)	13 (0.512)	M5	100
17	ARNS-17NB	33 (1.299)	31 (1.221)	20 (0.787)	19 (0.748)	M5	100
23	ARNS-23NB	42 (1.654)	40 (1.575)	20 (0.787)	23 (0.906)	M6	50
29	ARNS-29NB	47 (1.850)	46 (1.811)	20 (0.787)	26 (1.024)	M6	30
36	ARNS-36NB	56 (2.205)	56 (2.205)	20 (0.787)	31 (1.221)	M6	20
48	ARNS-48NB	70 (2.756)	70 (2.756)	20 (0.787)	39 (1.535)	M6	10



“T” AND “Y” DISTRIBUTORS



SPECIFICATIONS:

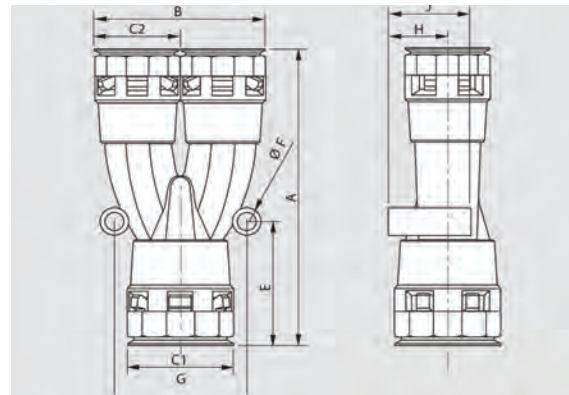
- Made of specially modified polyamide (PA6)
- Free of halogen, phosphorus and cadmium
- Self-extinguishing
- Shock-resistant
- Temperature range: -40°C to +105°C (150° short term)
- IP66 protection. IP68/IP69 with O-rings
- “Easy-click” quick assembly and removal of the conduit without tools

DESCRIPTION:

ANA-QUICK ‘T’ and ‘Y’ Distributors can be used to split the conduit for connection of multiple points. These connections are shipped split, for easy assembly to the conduit. They come in various combinations to join different sizes of conduits.

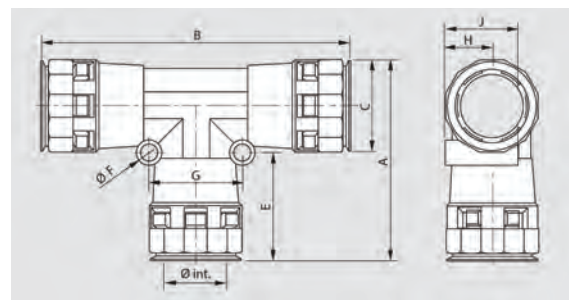
“Y” DISTRIBUTOR

Item ID	For Conduit Size			Std. Pkg.
	A	B	C	
ARNY-171212	NW 17	NW 12	NW 12	1
ARNY-231717	NW 23	NW 17	NW 17	1
ARNY-292323	NW 29	NW 23	NW 23	1
ARNY-362929	NW 36	NW 29	NW 29	1
ARNY-483636	NW 48	NW 36	NW 36	1



“T” DISTRIBUTOR

Item ID	For Conduit Size			Std. Pkg.
	A	B	C	
ARNT-101010	NW 10	NW 10	NW 10	1
ARNT-121212	NW 12	NW 12	NW 12	1
ARNT-171717	NW 17	NW 17	NW 17	1
ARNT-232323	NW 23	NW 23	NW 23	1
ARNT-292929	NW 29	NW 29	NW 29	1
ARNT-363636	NW 36	NW 36	NW 36	1



LOCK NUTS



DESCRIPTION:

Polyamide hexagonal metric thread lock nuts for securing connectors in thin or not threaded walls of boxes and cabinets. Made of specially modified polyamide (PA6). Free of halogen, phosphorus, and cadmium. Self-extinguishing and shock-resistant. Temperature range of -40°C to +105°C (+150°C short term).

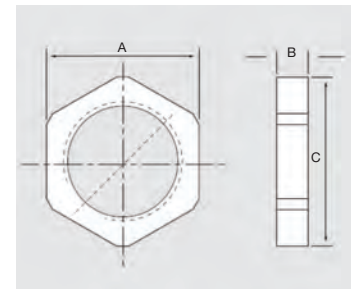


DESCRIPTION:

Nickel plated brass hexagonal female thread lock nuts for securing connectors and elbows in thin or not threaded walls of boxes and cabinets. Maximum temperature is +800°C.

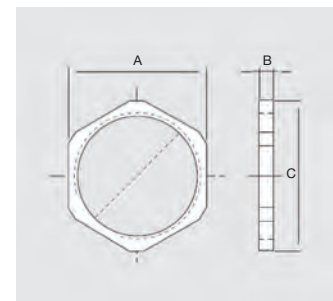
NYLON LOCK NUT

Item ID	Thread Size	Dimensions in mm (inches)			Std. Pkg.
		A	B	C	
ATNL-M12B	M12x1.5	18 (0.709)	17 (0.669)	5 (0.197)	100
ATNL-M16B	M16x1.5	24 (0.945)	22 (0.866)	5 (0.197)	100
ATNL-M20B	M20x1.5	28 (1.102)	26 (1.024)	6 (0.236)	100
ATNL-M25B	M25x1.5	35 (1.378)	32 (1.260)	6 (0.236)	100
ATNL-M32B	M32x1.5	47 (1.850)	42 (1.654)	7 (0.276)	100
ATNL-M40B	M40x1.5	57 (2.244)	52 (2.047)	7 (0.276)	50
ATNL-M50B	M50x1.5	68 (2.677)	62 (2.441)	9 (0.354)	50



NICKEL PLATED BRASS LOCK NUT

Item ID	Thread Size	A	B	C	Std. Pkg.
ATSL-M12M	M12x1.5	17 (0.669)	15 (0.591)	3 (0.118)	100
ATSL-M16M	M16x1.5	22 (0.866)	20 (0.787)	3 (0.118)	100
ATSL-M20M	M20x2.5	27 (1.063)	24 (0.945)	3.5 (0.138)	100
ATSL-M25M	M25x1.5	33 (1.299)	30 (1.181)	3.5 (0.138)	100
ATSL-M32M	M32x1.5	38 (1.496)	35 (1.378)	4.5 (0.177)	100
ATSL-M40M	M40x1.5	49 (1.929)	45 (1.772)	4.5 (0.177)	50
ATSL-M50M	M50x1.5	60 (2.362)	55 (2.165)	5.5 (0.217)	20



O-RINGS

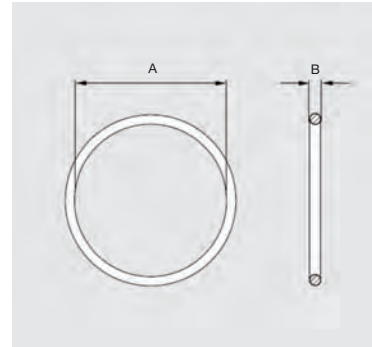


DESCRIPTION:

O-rings are to be placed on the first groove at the end of ANA-QUICK corrugated conduits in order to obtain a degree of protection up to IP68/IP69 between the conduit and the connector. Temperature range is -30°C to +100°C.

O-RINGS

Item ID	ND	Dimensions in mm (inches)		Std. Pkg.
		A	B	
AROR-07B	7	6.35 (0.250)	1.3 (0.051)	100
AROR-10B	10	10.0 (0.394)	1.3 (0.051)	100
AROR-12B	12	11.5 (0.453)	1.5 (0.059)	100
AROR-17B	17	16.0 (0.630)	1.8 (0.071)	100
AROR-23B	23	22.0 (0.866)	2.0 (0.079)	50
AROR-29B	29	29.0 (1.142)	2.0 (0.079)	30
AROR-36B	36	34.0 (1.339)	2.3 (0.091)	20
AROR-48B	48	44.6 (1.756)	2.4 (0.095)	10



SEALING WASHERS

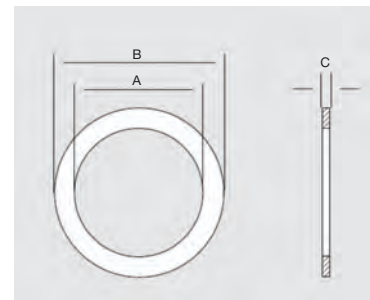


DESCRIPTION:

Sealing Washers allow the entry of cables into housings (boxes, cabinets, etc.) with a degree of protection up to IP68 or IP69 between the housing and the connector's base. Temperature range is -40°C to +200°.

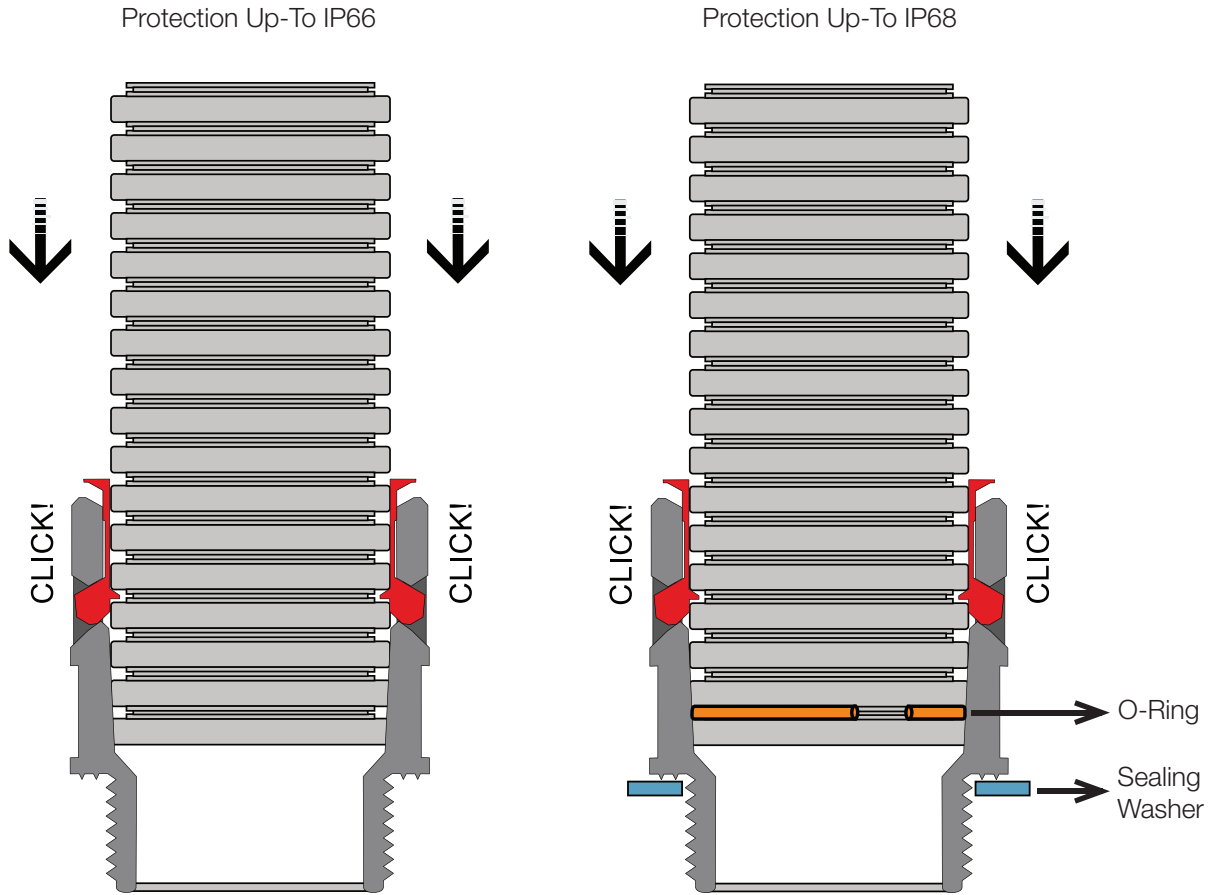
SEALING WASHERS

Item ID	For Thread	Dimensions in mm (inches)			Std. Pkg.
		A	B	C	
ARSW-M12M	M12x1.5	12 (0.472)	18 (0.709)	1.5 (0.059)	100
ARSW-M16M	M16x1.5	16 (0.630)	22 (0.866)	1.5 (0.059)	100
ARSW-M20M	M20x1.5	20 (0.787)	27 (1.063)	1.5 (0.059)	100
ARSW-M25M	M25x1.5	25 (0.984)	35 (1.378)	1.5 (0.059)	50
ARSW-M32M	M32x1.5	32 (1.260)	43 (1.693)	1.5 (0.059)	30
ARSW-M40M	M40x1.5	40 (1.579)	55 (2.165)	1.5 (0.059)	20
ARSW-M50M	M50x1.5	50 (1.969)	69 (2.717)	1.5 (0.059)	10



HOW TO ACHIEVE AN IP68/IP69 RATING

FIRST, INSERT AN O-RING ON THE FIRST GROOVE OF THE CONDUIT, THEN A SEALING WASHER ON THE THREAD AT THE BASE OF THE CONNECTOR.

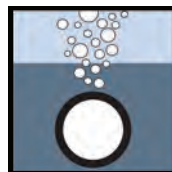


IP66



With the connector alone

IP68



IP69



With the connector combined with an O-Ring and Sealing Washer