

# FITTINGS WITH NPT THREADS



## DESCRIPTION:

Straight and 90° fittings with male metric thread according to EN 60423 connector for fixing the ends of flexible corrugated conduits to the cable entries on control panels, terminal boxes on electric motors, etc., in accordance with standard EN 60204 (Safety of Machinery). They are notable for their high tensile strength and tightness.

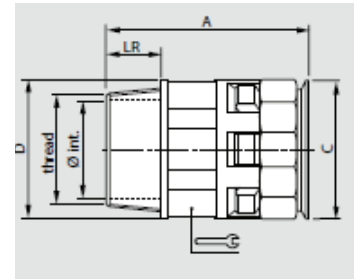
## SPECIFICATIONS:

- Made of specially modified polyamide (PA6)
- Free of halogen, phosphorus and cadmium
- Self-extinguishing
- Shock-resistant
- Temperature range: -40°C to +105°C (150°C short term)
- IP66 protection (IP68/IP69 with O-Ring and Sealing Washer)
- “Easy-click” quick assembly and removal of the conduit without tools
- Color: Black

## NPT THREAD STRAIGHT FITTINGS



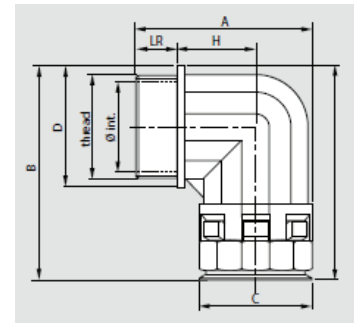
Size NW	Item ID	Thread Size	Dimensions mm (inches)				Std. Pkg.
			Ø INT	A	C	D	
17	AFN0-17N050B	NPT ½	14.5 (0.571)	46 (1.811)	31 (1.220)	30 (1.181)	100
23	AFN0-23N075B	NPT ¾	19.5 (0.768)	50 (1.969)	37 (1.457)	37 (1.457)	50
29	AFN0-29N100B	NPT 1	25.0 (0.984)	53 (2.087)	46 (1.811)	46 (1.811)	30
36	AFN0-36N125B	NPT 1¼	34.5 (1.358)	59 (2.323)	54 (2.126)	54 (2.126)	20
48	AFN0-48N150B	NPT 1½	40.5 (1.595)	60 (2.362)	69 (2.717)	69 (2.717)	10



## NPT THREAD 90° FITTINGS



Size NW	Item ID	Thread Size	Dimensions mm (inches)				Std. Pkg.
			Ø INT	A	B	C	
17	AFN9-17N050B	NPT ½	14.5 (0.571)	47 (1.850)	58 (2.284)	30 (1.181)	50
23	AFN9-23N075B	NPT ¾	19.5 (0.768)	55 (2.165)	66 (2.599)	36 (1.417)	30
29	AFN9-29N100B	NPT 1	25.0 (0.984)	67 (2.638)	76 (2.992)	45 (1.772)	10
36	AFN9-36N125B	NPT 1¼	34.5 (1.358)	78 (3.071)	89 (3.504)	54 (2.126)	10
48	AFN9-48N150B	NPT 1½	40.5 (1.595)	91 (3.583)	103 (4.055)	68 (2.677)	5
48	AFN9-48N200B	NPT 2	50.0 (1.969)	91 (3.583)	104 (4.095)	68 (2.677)	5



Lock nuts are NOT included with fittings.