

FITTINGS WITH METRIC THREADS



DESCRIPTION:

Straight and 90° fittings with male metric thread according to EN 60423 connector for fixing the ends of flexible corrugated conduits to the cable entries on control panels, terminal boxes on electric motors, etc., in accordance with standard EN 60204 (Safety of Machinery). They are notable for their high tensile strength and tightness.

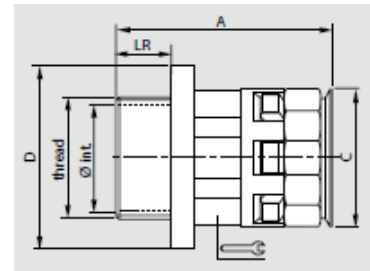
SPECIFICATIONS:

- Made of specially modified polyamide (PA6)
- Free of halogen, phosphorus and cadmium
- Self-extinguishing
- Shock-resistant
- Temperature range: -40°C to +105°C (150°C short term)
- IP66 protection (IP68/IP69 with O-ring and Sealing Washer)
- “Easy-click” quick assembly and removal of the conduit without tools
- Color: Black

METRIC THREAD STRAIGHT FITTINGS



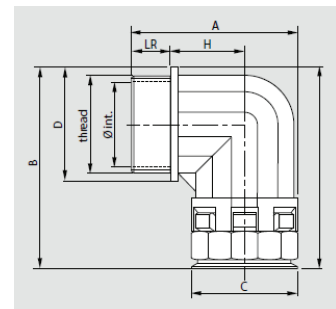
Size NW	Item ID	Thread Size	Dimensions mm (inches)				Std. Pkg.
			Ø INT	A	C	D	
7	AFN0-07M12B	M12x1.5	6.5 (0.256)	35 (1.378)	19 (0.748)	17 (0.669)	100
10	AFN0-10M16B	M16x1.5	10.0 (0.394)	37 (1.457)	21 (0.827)	21 (0.827)	100
12	AFN0-12M20B	M20x1.5	14.0 (0.551)	37 (1.457)	26 (1.024)	25 (0.984)	100
17	AFN0-17M20B	M20x1.5	14.5 (0.571)	44 (1.732)	31 (1.221)	30 (1.181)	100
23	AFN0-23N25B	M25x1.5	18.5 (0.729)	48 (1.890)	37 (1.457)	37 (1.457)	50
29	AFN0-29N32B	M32x1.5	25.5 (1.004)	52 (2.048)	46 (1.811)	46 (1.811)	30
36	AFN0-36M40B	M40x1.5	32.0 (1.260)	60 (2.362)	54 (2.126)	54 (2.126)	20
48	AFN0-48M50B	M48x1.5	42.0 (1.654)	61 (2.402)	69 (2.717)	69 (2.717)	10



METRIC THREAD 90° FITTINGS



Size NW	Item ID	Thread Size	Dimensions mm (inches)				Std. Pkg.
			Ø int	A	B	C	
12	AFN9-12M20B	M20x1.5	12.3 (0.484)	39 (1.535)	45 (1.772)	25 (0.984)	50
17	AFN9-17M20B	M20x1.5	14.5 (0.571)	45 (1.772)	58 (2.284)	30 (1.181)	50
23	AFN9-23M25B	M25x1.5	18.5 (0.728)	53 (2.087)	66 (2.599)	36 (1.417)	30
29	AFN9-29M32B	M32x1.5	25.5 (1.004)	66 (2.599)	76 (2.992)	45 (1.772)	20
36	AFN9-36M40B	M40x1.5	32.0 (1.260)	79 (3.110)	89 (3.504)	54 (2.126)	10
48	AFN9-48M50B	M50x1.5	42.0 (1.654)	92 (3.622)	103 (4.055)	68 (2.677)	10



Lock nuts are NOT included with fittings.