

LOCK NUTS



DESCRIPTION:

Polyamide hexagonal metric thread lock nuts for securing connectors in thin or not threaded walls of boxes and cabinets. Made of specially modified polyamide (PA6). Free of halogen, phosphorus, and cadmium. Self-extinguishing and shock-resistant. Temperature range of -40°C to +105°C (+150°C short term).

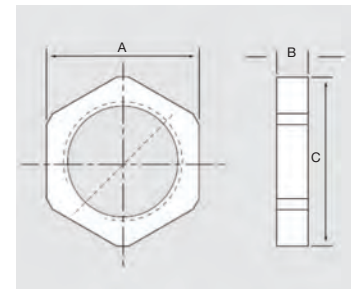


DESCRIPTION:

Nickel plated brass hexagonal female thread lock nuts for securing connectors and elbows in thin or not threaded walls of boxes and cabinets. Maximum temperature is +800°C.

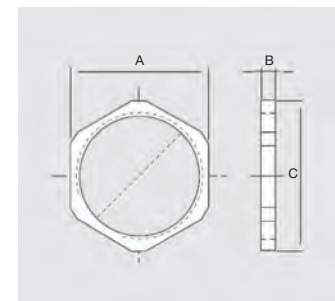
NYLON LOCK NUT

Item ID	Thread Size	Dimensions in mm (inches)			Std. Pkg.
		A	B	C	
ATNL-M12B	M12x1.5	18 (0.709)	17 (0.669)	5 (0.197)	100
ATNL-M16B	M16x1.5	24 (0.945)	22 (0.866)	5 (0.197)	100
ATNL-M20B	M20x1.5	28 (1.102)	26 (1.024)	6 (0.236)	100
ATNL-M25B	M25x1.5	35 (1.378)	32 (1.260)	6 (0.236)	100
ATNL-M32B	M32x1.5	47 (1.850)	42 (1.654)	7 (0.276)	100
ATNL-M40B	M40x1.5	57 (2.244)	52 (2.047)	7 (0.276)	50
ATNL-M50B	M50x1.5	68 (2.677)	62 (2.441)	9 (0.354)	50



NICKEL PLATED BRASS LOCK NUT

Item ID	Thread Size	A	B	C	Std. Pkg.
ATSL-M12M	M12x1.5	17 (0.669)	15 (0.591)	3 (0.118)	100
ATSL-M16M	M16x1.5	22 (0.866)	20 (0.787)	3 (0.118)	100
ATSL-M20M	M20x2.5	27 (1.063)	24 (0.945)	3.5 (0.138)	100
ATSL-M25M	M25x1.5	33 (1.299)	30 (1.181)	3.5 (0.138)	100
ATSL-M32M	M32x1.5	38 (1.496)	35 (1.378)	4.5 (0.177)	100
ATSL-M40M	M40x1.5	49 (1.929)	45 (1.772)	4.5 (0.177)	50
ATSL-M50M	M50x1.5	60 (2.362)	55 (2.165)	5.5 (0.217)	20



O-RINGS

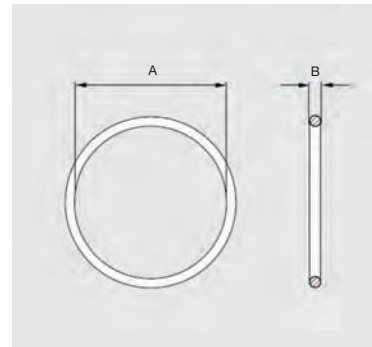


DESCRIPTION:

O-rings are to be placed on the first groove at the end of ANA-QUICK corrugated conduits in order to obtain a degree of protection up to IP68/IP69 between the conduit and the connector. Temperature range is -30°C to +100°C.

O-RINGS

Item ID	ND	Dimensions in mm (inches)		Std. Pkg.
		A	B	
AROR-07B	7	6.35 (0.250)	1.3 (0.051)	100
AROR-10B	10	10.0 (0.394)	1.3 (0.051)	100
AROR-12B	12	11.5 (0.453)	1.5 (0.059)	100
AROR-17B	17	16.0 (0.630)	1.8 (0.071)	100
AROR-23B	23	22.0 (0.866)	2.0 (0.079)	50
AROR-29B	29	29.0 (1.142)	2.0 (0.079)	30
AROR-36B	36	34.0 (1.339)	2.3 (0.091)	20
AROR-48B	48	44.6 (1.756)	2.4 (0.095)	10



SEALING WASHERS



DESCRIPTION:

Sealing Washers allow the entry of cables into housings (boxes, cabinets, etc.) with a degree of protection up to IP68 or IP69 between the housing and the connector's base. Temperature range is -40°C to +200°.

SEALING WASHERS

Item ID	For Thread	Dimensions in mm (inches)			Std. Pkg.
		A	B	C	
ARSW-M12M	M12x1.5	12 (0.472)	18 (0.709)	1.5 (0.059)	100
ARSW-M16M	M16x1.5	16 (0.630)	22 (0.866)	1.5 (0.059)	100
ARSW-M20M	M20x1.5	20 (0.787)	27 (1.063)	1.5 (0.059)	100
ARSW-M25M	M25x1.5	25 (0.984)	35 (1.378)	1.5 (0.059)	50
ARSW-M32M	M32x1.5	32 (1.260)	43 (1.693)	1.5 (0.059)	30
ARSW-M40M	M40x1.5	40 (1.579)	55 (2.165)	1.5 (0.059)	20
ARSW-M50M	M50x1.5	50 (1.969)	69 (2.717)	1.5 (0.059)	10

