

**ANAMET** 

# **ANA-QUICK**<sup>®</sup> Nylon

NYLON FLEXIBLE CONDUIT  
AND ACCESSORIES



ANAMET ANACONDA SEALTITE  
NORTH AMERICA

# QUICK SELECTION GUIDE

## 1. WHAT MATERIAL OF CONDUIT IS NEEDED?

PA6

PA12

AC6L  
LIGHT WALL

PAGE 8

AC6S  
STANDARD WALL

PAGE 9

AC6R  
MEDIUM WALL

PAGE 10

AC12S  
STANDARD WALL

PAGE 11

## 2. WHAT TYPE OF FITTING IS REQUIRED?

NPT THREADS

STRAIGHT 90°

PAGE 14

METRIC THREADS

STRAIGHT 90°

PAGE 15

METRIC METALLIC  
THREADS

STRAIGHT 90°

PAGE 16

FLANGE FITTING

90°

PAGE 17

## 3. ARE ANY ACCESSORIES REQUIRED?

SUPPORT WITH LID

PAGE 18

DISTRIBUTORS

T Y

PAGE 19

LOCKNUTS

NYLON NICKEL-PLATED

PAGE 20

## 4. NEED A HIGHER IP RATING?

IP68/IP69

O-RINGS SEALING  
WASHERS

PAGE 21

**IP68:** Total dust protection, Protection against long periods of immersion under water

**IP69:** Highest protection available against dust and water



# ANA-QUICK<sup>®</sup> Nylon

CATEGORY	PRODUCT	PAGE
About ANA-QUICK	PA6 and PA12 Conduit Features and Applications	4
	Guide: Conduit System Features	5
	ANA-QUICK Conduit Specifications	6
Conduits	Conduit System & Accessories Part Number Scheme	7
	PA6 Conduit Type AC6L	8
	PA6 Conduit Type AC6S	9
	PA6 Conduit Type AC6R	10
	PA12 Conduit Type AC12S	11
Fittings	Fittings Specifications	12
	Guide: How-to Remove Conduit from Fitting	12
	Fittings Part Number Scheme	13
	Fittings with NPT Threads	14
	Fittings with Metric Threads	15
	Fittings with Metric Metallic Threads	16
	Flange 90° Fitting	17
Accessories	Support with Lid	18
	“T” and “Y” Distributors	19
	Nylon and Nickel-Plated Locknuts	20
	O-Rings and Sealing Washers	21
	Guide: How to Achieve an IP68 Rating	22
About ANAMET	Other Products Available from ANAMET	23



**CONDUIT**  
**PAGE 8**



**FITTINGS**  
**PAGE 14**



**ACCESSORIES**  
**PAGE 18**

# THE ANAMET SOLUTION FOR HIGH FLEXING OEM APPLICATIONS



## PA6 AND PA12 CONDUIT

### TRANSPORTATION APPLICATIONS:

Light weight, plus easy installation and tight bend radius

### OEM MACHINE/EQUIPMENT BUILDERS:

Tight bend radius, and high flexing applications for cat-track and robotics

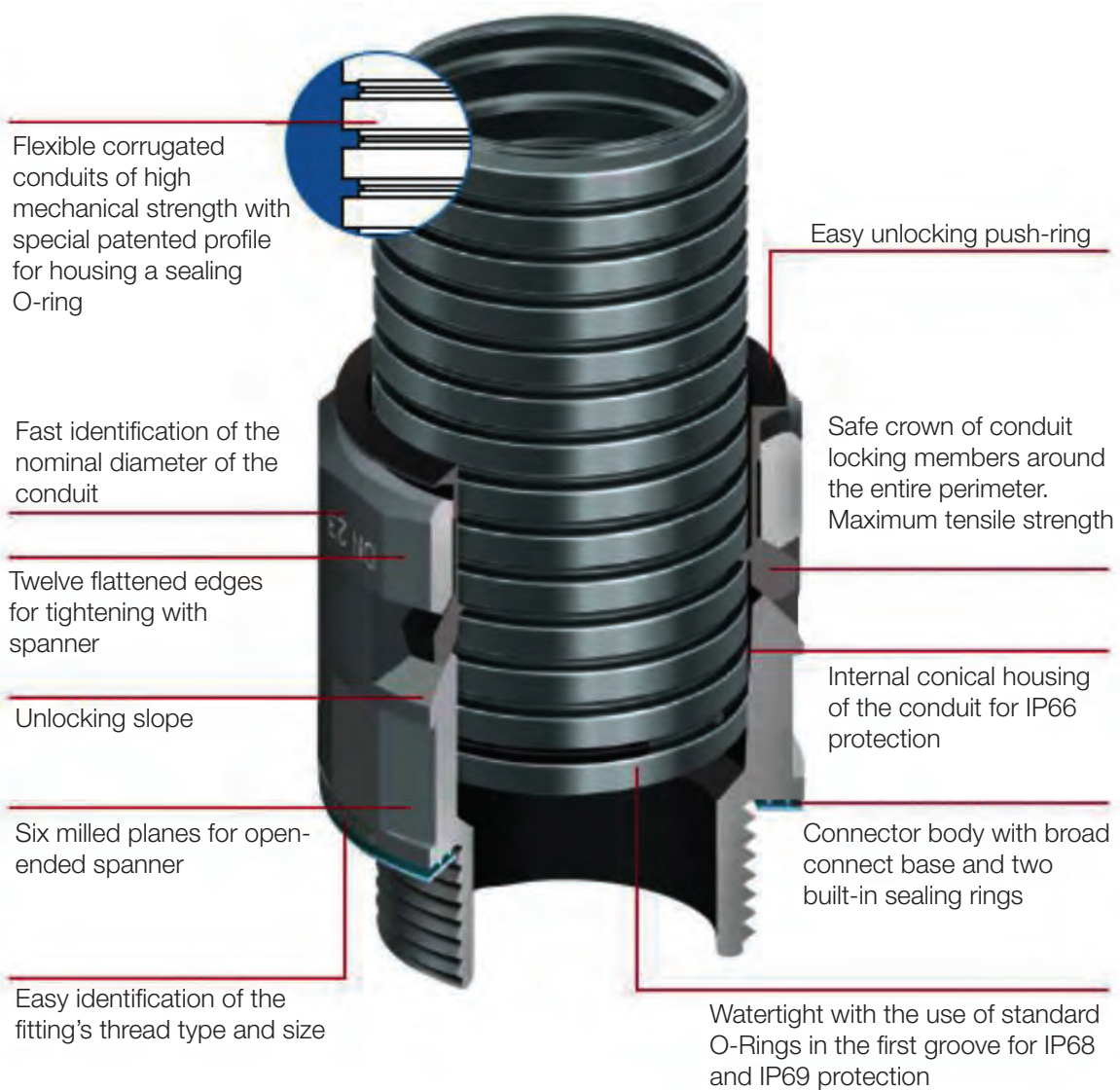
### FEATURES:

- Quick installation, easy connection without tools
- Labour savings
- Lightweight and highly flexible
- Ideal for tight tend radius wiring and sensor installations
- Halogen free polyamide construction for added safety
- Temperature range: -40°C to +120°C
- IP68 and IP69(K) ingress protection when matched with correct fitting
- Resistant to alcohol, grease, fuels, mineral spirits, and moisture

### APPLICATIONS:

- In-line and end-of-line packaging systems
- OEM equipment sub-assemblies
- Passenger rail vehicles
- Mining vehicles
- Injection molding machines
- Machine tools
- Ice surface cleaners
- Solar panel arrays
- Fiber optics
- Medical equipment
- Robotics
- Harnesses

# CONDUIT SYSTEM FEATURES



360° Protection

**Watertight:**

Protection up to IP68/IP69

**Easy:**

Quick assembly and removal

**Secure:**

Conduit locking around its entire perimeter

# ANA-QUICK CONDUIT SPECIFICATIONS

Type	Material	Wall	Size Range	Flexibility	Temperature	IP Rating	Crush	Approvals
AC6L	PA6 Nylon	Light	7 - 48	High	-40°C +105°C	IP68	Medium	 
AC6S	PA6 Nylon	Standard	7 - 48	Medium	-40°C +105°C	IP68	High	 
AC6R	PA6 Nylon	Medium	7 - 48	High	-10°C +105°C	IP68	Medium	 
AC12S	PA12 Nylon	Standard	7 - 95	Very High	-50°C +90°C	IP68	Medium	

ANA-QUICK Conduit System is CE approved and based on the EN 50086 Classifications. The table below summarizes the classification of the two types of ANA-QUICK Conduit.

ANA-QUICK	AC6L	AC6S	AC6R	AC12S
Compression Resistance	**	***	**	**
Impact Resistance	**	***	**	**
Min. Temperature	-40° C	-40° C	-40° C	-50° C
Max. Temperature	+105° C	+105° C	+105° C	+90° C
Bending Resistance	Very Flexible	Very Flexible	Very Flexible	Extremely Flexible
IP Rating	IP68	IP68	IP68	IP68
Corrosion Resistance	Very High	Very High	Very High	Very High
Flame Resistance	Self-Extinguishing	Self-Extinguishing	Self-Extinguishing	Self-Extinguishing
UL94	HB	V2	V0	V2

The ANA-QUICK SYSTEM is based on the European standard of conduit sizes, which are referred to as NW sizes. The reference chart below converts those into the matching trade sizes used in North America.

Trade Size	Inside Diameter Range	Equivalent	
		ANA-QUICK	Int. Diameter
1/4"	.345-.260"	NM 7.5	.264"
5/16"	.390-.405"	NM 10	.390"
3/8"	.484-.504"	NW 12	.480"
1/2"	.622-.642"	NW 17	.654"
3/4"	.820-.840"	NW 23	.913"
1"	1.0411-1.056"	NW 29	1.142"
1-1/4"	1.380-1.410"	NW 36	1.417"
1-1/2"	1.575-1.610"	NW 48	1.878"

# CONDUIT SYSTEM AND ACCESSORIES PART NUMBER SCHEME

## AC6L - 17B

**CONDUITS:**  
AC\_\_ - \_\_ (page 8-11)

**Color:**  
B Black

**Profile (AC Series):**  
**6L** Nylon 6 Thin Wall  
**6S** Nylon 6 Standard Wall  
**6R** Nylon 6 Medium Wall  
**12S** Nylon 12 Standard Wall

**NW Trade Size (ID):**

07	7.5mm	1/4"
10	10mm	5/16"
12	12mm	3/8"
17	17mm	1/2"
23	23mm	3/4"
29	29mm	1"
36	36mm	1-1/4"
48	48mm	1-1/2"

## ARNS - 07B

**ACCESSORIES:**  
AR\_\_ - \_\_ (page 18-21)

**Color:**  
 B Black  
 M Metallic

**Accessories (AR Series):**  
**NY** Nylon "Y" Connector  
**NT** Nylon "T" Connector  
**NS** Nylon Support with Lid  
**NL** Nylon Lock Nut  
**SL** Nickel Plated Lock Nut  
**OR** O-Rings  
**SW** Sealing Washers

**NW Trade Size (ID):**

07	7.5mm	1/4"
10	10mm	5/16"
12	12mm	3/8"
17	17mm	1/2"
23	23mm	3/4"
29	29mm	1"
36	36mm	1-1/4"
48	48mm	1-1/2"

**ANA-QUICK®** Nylon

# PA6 CONDUIT - EXTRA FLEXIBLE



## DESCRIPTION:

For insulation, mechanical protection and environmental preservation of cables in the electrical installation of machinery, industrial equipment and telecommunications.



Type AC6L conduits are corrugated polyamide conduits specially designed for machine tool applications that require protection for cables. Type AC6L is a standard wall conduit, which is UL Recognized.

## SPECIFICATIONS:

- Made of specially modified polyamide (PA6)
- Special patented profile for housing the O-Ring sealing to provide a higher IP protection
- Free of halogen, phosphorous and cadmium
- Self-extinguishing (HB according to UL94)
- Temperature range: -40°C to +105°C (150°C short term)
- UV resistant
- Color: black

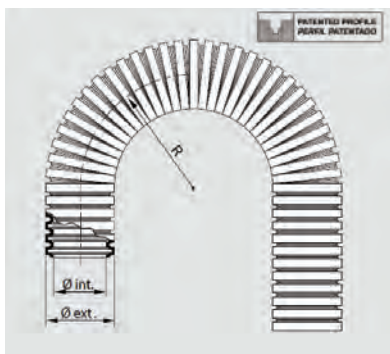
## APPLICATIONS:

- Machine building, switch cabinets, movable machinery, rail vehicles, commercial vehicles, construction machinery.

## CONDUIT: TYPE AC6L - LIGHT WALL



Size NW	Item ID	Diameter mm (inches)		Bend Radius	Pkg. Meters
		Inside	Outside		
7 (1/4")	AC6L-07B	6.3 (0.248)	10.0 (0.394)	15	50
10 (5/16")	AC6L-10B	9.7 (0.382)	13.0 (0.512)	20	50
12 (3/8")	AC6L-12B	12.2 (0.480)	15.8 (0.622)	30	50
17 (1/2")	AC6L-17B	16.8 (0.661)	21.2 (0.835)	40	50
23 (3/4")	AC6L-23B	22.6 (0.890)	28.5 (1.122)	55	50
29 (1")	AC6L-29B	28.3 (1.114)	34.5 (1.358)	65	50
36 (1-1/4")	AC6L-36B	36.3 (1.429)	42.5 (1.673)	80	30
48 (1-1/2")	AC6L-48B	47.4 (1.866)	54.5 (2.146)	95	30





# PA6 CONDUIT - EXTRA FLEXIBLE



## DESCRIPTION:

For insulation, mechanical protection and environmental preservation of cables in the electrical installation of machinery, industrial equipment, railway and telecommunications.



Type AC6S conduits are corrugated polyamide conduits specially designed for machine tool applications that require protection for cables. Type AC6S is a standard wall conduit, which is UL Recognized.

## SPECIFICATIONS:

- Construction: Corrugated conduit from Modified Polyamide (PA6), halogen free
- Flame Properties: Class V2, UL-94, self-extinguishing
- Resistant: alcohol, greases, fuels, mineral spirits, weak bases, weak acids, and UV
- Temperature Range: -40°C to +105C (intermittent to 150°C)
- Color: Black
- Approvals: UL Recognized, RoHS Compliant

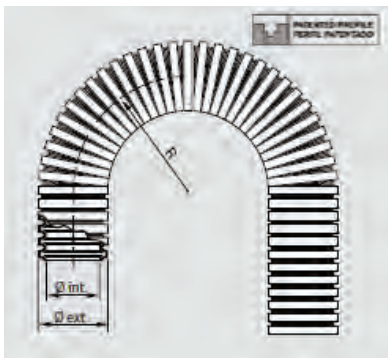
## APPLICATIONS:

- Machine building, switch cabinets, movable machinery
- Rail vehicles, commercial vehicles, construction machinery
- For high mechanical strength

## CONDUIT: TYPE AC6S - STANDARD WALL



Size NW	Item ID	Diameter mm (inches)		Bend Radius	Pkg. Meters
		Inside	Outside		
7 (1/4")	AC6S-07B	6.2 (0.244)	10.0 (0.394)	20	50
10 (5/16")	AC6S-10B	9.6 (0.378)	13.0 (0.512)	25	50
12 (3/8")	AC6S-12B	12.0 (0.472)	15.7 (0.618)	30	50
17 (1/2")	AC6S-17B	16.5 (0.650)	21.2 (0.835)	50	50
23 (3/4")	AC6S-23B	22.3 (0.878)	28.5 (1.122)	60	50
29 (1")	AC6S-29B	28.2 (1.110)	34.5 (1.358)	60	50
36 (1-1/4")	AC6S-36B	36.0 (1.417)	42.5 (1.673)	70	30
48 (1-1/2")	AC6S-48B	47.1 (1.854)	54.5 (2.146)	100	30



# PA6 CONDUIT - EXTRA FLEXIBLE



## DESCRIPTION:

For insulation, mechanical protection and environmental preservation of cables in the electrical installation specially in passenger areas of railway coaches, railway tunnels, or underground stations and general installations with special fire and smoke requirements.



Type AC6R conduits are corrugated polyamide conduits specially designed for machine tool applications that require protection for cables. Type AC6R is a standard wall conduit, which is UL Recognized.

## SPECIFICATIONS:

- Construction: Corrugated conduit from Modified Polyamide (PA6), halogen free
- Flame Properties: Class V0, UL-94, self-extinguishing
- Resistant: Alcohol, greases, fuels, mineral spirits, weak bases, weak acids, and UV
- Temperature Range: -40°C to +105°C (intermittent to 150°C)
- Color: Black
- Approvals: UL Recognized, RoHS Compliant, ASTM-162, ASTM-662, SMP-800C

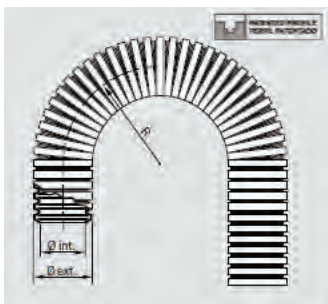
## APPLICATIONS:

- Machine building, switch cabinets, movable machinery
- Rail vehicles, commercial vehicles, construction machinery
- For high mechanical strength

## CONDUIT: TYPE AC6R - MEDIUM WALL



Size NW	Item ID	Diameter mm (inches)		Bend Radius	Pkg. Meters
		Inside	Outside		
7 (1/4")	AC6R-07B	6.4 (0.252)	10.0 (0.394)	15	50
10 (5/16")	AC6R-10B	9.8 (0.386)	13.0 (0.512)	20	50
12 (3/8")	AC6R-12B	12.3 (0.484)	15.8 (0.622)	30	50
17 (1/2")	AC6R-17B	16.9 (0.665)	21.2 (0.835)	40	50
23 (3/4")	AC6R-23B	22.7 (0.894)	28.5 (1.122)	55	50
29 (1")	AC6R-29B	28.4 (1.118)	34.5 (1.358)	65	50
36 (1-1/4")	AC6R-36B	36.4 (1.433)	42.5 (1.673)	80	30
48 (1-1/2")	AC6R-48B	47.5 (1.870)	54.5 (2.146)	95	30



# PA 12 CONDUITS - EXTRA FLEXIBLE



## DESCRIPTION:

For insulation, mechanical protection and environmental preservation of cables in dynamic applications. They offer high flexibility and an outstanding resistance to abrasion.



Type AC12S conduits are corrugated polyamide conduits specially designed for machine tool applications that require protection for cables. Type AC12S is a standard wall conduit.

## SPECIFICATIONS:

- Construction: Corrugated conduit from Modified Polyamide (PA12), halogen free
- Flame Properties: Class V2, UL-94, self-extinguishing
- Resistant: Alcohol, greases, fuels, mineral spirits, weak bases, and weak acids
- Temperature Range: -50°C to +90°C (intermittent to 140°C)
- Color: Black
- Approvals: RoHS Compliant

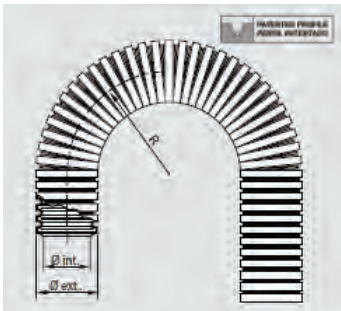
## APPLICATIONS:

- Machine building, switch cabinets, movable machinery
- Rail vehicles, commercial vehicles, construction machinery
- For high mechanical strength
- Robotic dress packages

## CONDUIT: TYPE AC12S - STANDARD



Size NW	Item ID	Diameter mm (inches)		Bend Radius mm		Pkg. Meters
		Inside Diameter	Outside Diameter	Static	Dynamic	
7 (1/4")	AC12S-07B	6.5 (.256)	10.0 (0.394)	20	45	50
10 (5/16")	AC12S-10B	9.5 (.374)	13.0 (0.512)	30	60	50
12 (3/8")	AC12S-12B	12.0 (0.472)	15.8 (0.622)	35	75	50
17 (1/2")	AC12S-17B	16.4 (0.646)	21.2 (0.835)	40	90	50
23 (3/4")	AC12S-23B	22.6 (0.890)	28.5 (1.122)	55	115	50
29 (1")	AC12S-29B	28.1 (1.106)	34.5 (1.358)	70	140	50
36 (1-1/4")	AC12S-36B	36.0 (1.417)	42.5 (1.673)	80	200	30
48 (1-1/2")	AC12S-48B	47.5 (1.870)	54.5 (2.146)	100	230	30



# ANA-QUICK FITTINGS SPECIFICATIONS



METRIC



NPT THREADS



METRIC METALLIC

## SPECIFICATIONS:

- Construction: Specially modified polyamide (PA6), halogen, phosphorus, and cadmium free
- Flame Properties: Self-extinguishing
- Resistance: Shock, alcohol, greases, fuels, mineral spirits, weak bases, and weak acids
- IP Rating: IP66 (IP68 & IP69 options)
- Temperature Range: -40°C to +105°C
- Color: Black
- Approval: cURus Recognized

## APPLICATIONS:

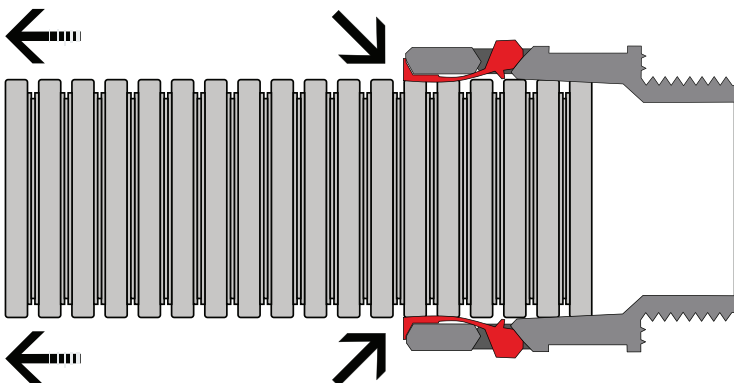
- All ANA-QUICK conduit types
- Vibration areas
- Wash down areas (when assembled with O-rings)

## DESCRIPTION:

Standard ANA-QUICK Fittings are made from PA6 Nylon and are rated IP66. These fittings are designed to fit all ANA-QUICK conduit types and can be disassembled from the conduit after they have been assembled without the use of tools. They are notable for their high tensile strength and tightness.



## HOW TO REMOVE CONDUIT FROM THE FITTING



Press the conduit and the release ring against the body of the connector, and then, keeping the release ring pressed, pull the conduit outwards, twisting a little.



# FITTINGS PART NUMBER SCHEME

**AFN0-17N050B**

**FITTINGS:**  
AF\_\_ - \_\_\_\_ (page 14-17)

**Material:**  
N Nylon threads  
M Metal threads

**Color:**  
B Black

**Profile (AC Series):**  
0 Straight Fitting  
9 90° Fitting  
F 90° Flange

**Thread Size**  
**NPT:**  
050 1/2"  
075 3/4"  
100 1"  
125 1-1/4"  
150 1-1/2"  
200 2"  
**Metric:**  
M12  
M16  
M20  
M25  
M32  
M40

**NW Trade Size (ID):**  
07 7.5mm 1/4"  
10 10mm 5/16"  
12 12mm 3/8"  
17 17mm 1/2"  
23 23mm 3/4"  
29 29mm 1"  
36 36mm 1-1/4"  
48 48mm 1-1/2"

**Fitting Thread:**  
N NPT  
M Metric

**Please Note:** Refer to specific product page for details and specifications. Not all part numbers that can be created by this part number scheme are currently available from ANAMET. Part numbers specifically shown in this catalog are currently available.

Lock nuts are NOT included with fittings.

# FITTINGS WITH NPT THREADS



## DESCRIPTION:

Straight and 90° fittings with male metric thread according to EN 60423 connector for fixing the ends of flexible corrugated conduits to the cable entries on control panels, terminal boxes on electric motors, etc., in accordance with standard EN 60204 (Safety of Machinery). They are notable for their high tensile strength and tightness.

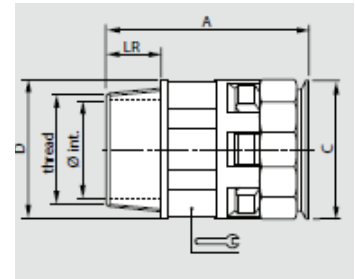
## SPECIFICATIONS:

- Made of specially modified polyamide (PA6)
- Free of halogen, phosphorus and cadmium
- Self-extinguishing
- Shock-resistant
- Temperature range: -40°C to +105°C (150°C short term)
- IP66 protection (IP68/IP69 with O-Ring and Sealing Washer)
- “Easy-click” quick assembly and removal of the conduit without tools
- Color: Black

## NPT THREAD STRAIGHT FITTINGS



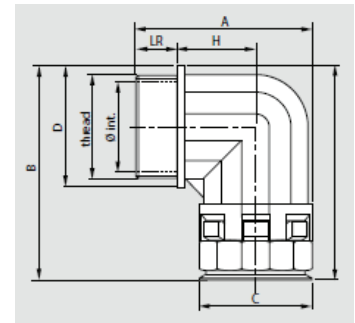
Size NW	Item ID	Thread Size	Dimensions mm (inches)				Std. Pkg.
			Ø INT	A	C	D	
17	AFN0-17N050B	NPT ½	14.5 (0.571)	46 (1.811)	31 (1.220)	30 (1.181)	100
23	AFN0-23N075B	NPT ¾	19.5 (0.768)	50 (1.969)	37 (1.457)	37 (1.457)	50
29	AFN0-29N100B	NPT 1	25.0 (0.984)	53 (2.087)	46 (1.811)	46 (1.811)	30
36	AFN0-36N125B	NPT 1¼	34.5 (1.358)	59 (2.323)	54 (2.126)	54 (2.126)	20
48	AFN0-48N150B	NPT 1½	40.5 (1.595)	60 (2.362)	69 (2.717)	69 (2.717)	10



## NPT THREAD 90° FITTINGS



Size NW	Item ID	Thread Size	Dimensions mm (inches)				Std. Pkg.
			Ø INT	A	B	C	
17	AFN9-17N050B	NPT ½	14.5 (0.571)	47 (1.850)	58 (2.284)	30 (1.181)	50
23	AFN9-23N075B	NPT ¾	19.5 (0.768)	55 (2.165)	66 (2.599)	36 (1.417)	30
29	AFN9-29N100B	NPT 1	25.0 (0.984)	67 (2.638)	76 (2.992)	45 (1.772)	10
36	AFN9-36N125B	NPT 1¼	34.5 (1.358)	78 (3.071)	89 (3.504)	54 (2.126)	10
48	AFN9-48N150B	NPT 1½	40.5 (1.595)	91 (3.583)	103 (4.055)	68 (2.677)	5
48	AFN9-48N200B	NPT 2	50.0 (1.969)	91 (3.583)	104 (4.095)	68 (2.677)	5



Lock nuts are NOT included with fittings.

# FITTINGS WITH METRIC THREADS



## DESCRIPTION:

Straight and 90° fittings with male metric thread according to EN 60423 connector for fixing the ends of flexible corrugated conduits to the cable entries on control panels, terminal boxes on electric motors, etc., in accordance with standard EN 60204 (Safety of Machinery). They are notable for their high tensile strength and tightness.

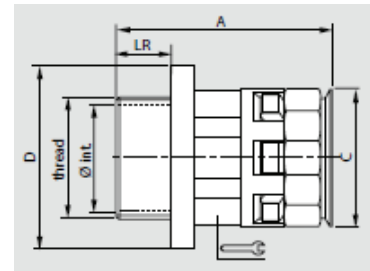
## SPECIFICATIONS:

- Made of specially modified polyamide (PA6)
- Free of halogen, phosphorus and cadmium
- Self-extinguishing
- Shock-resistant
- Temperature range: -40°C to +105°C (150°C short term)
- IP66 protection (IP68/IP69 with O-ring and Sealing Washer)
- “Easy-click” quick assembly and removal of the conduit without tools
- Color: Black

## METRIC THREAD STRAIGHT FITTINGS



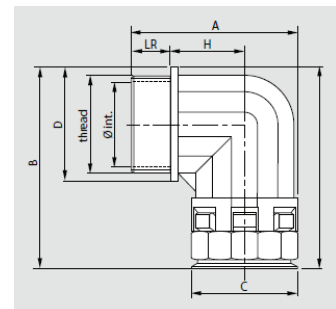
Size NW	Item ID	Thread Size	Dimensions mm (inches)				Std. Pkg.
			Ø INT	A	C	D	
7	AFN0-07M12B	M12x1.5	6.5 (0.256)	35 (1.378)	19 (0.748)	17 (0.669)	100
10	AFN0-10M16B	M16x1.5	10.0 (0.394)	37 (1.457)	21 (0.827)	21 (0.827)	100
12	AFN0-12M20B	M20x1.5	14.0 (0.551)	37 (1.457)	26 (1.024)	25 (0.984)	100
17	AFN0-17M20B	M20x1.5	14.5 (0.571)	44 (1.732)	31 (1.221)	30 (1.181)	100
23	AFN0-23N25B	M25x1.5	18.5 (0.729)	48 (1.890)	37 (1.457)	37 (1.457)	50
29	AFN0-29N32B	M32x1.5	25.5 (1.004)	52 (2.048)	46 (1.811)	46 (1.811)	30
36	AFN0-36M40B	M40x1.5	32.0 (1.260)	60 (2.362)	54 (2.126)	54 (2.126)	20
48	AFN0-48M50B	M48x1.5	42.0 (1.654)	61 (2.402)	69 (2.717)	69 (2.717)	10



## METRIC THREAD 90° FITTINGS



Size NW	Item ID	Thread Size	Dimensions mm (inches)				Std. Pkg.
			Ø int.	A	B	C	
12	AFN9-12M20B	M20x1.5	12.3 (0.484)	39 (1.535)	45 (1.772)	25 (0.984)	50
17	AFN9-17M20B	M20x1.5	14.5 (0.571)	45 (1.772)	58 (2.284)	30 (1.181)	50
23	AFN9-23M25B	M25x1.5	18.5 (0.728)	53 (2.087)	66 (2.599)	36 (1.417)	30
29	AFN9-29M32B	M32x1.5	25.5 (1.004)	66 (2.599)	76 (2.992)	45 (1.772)	20
36	AFN9-36M40B	M40x1.5	32.0 (1.260)	79 (3.110)	89 (3.504)	54 (2.126)	10
48	AFN9-48M50B	M50x1.5	42.0 (1.654)	92 (3.622)	103 (4.055)	68 (2.677)	10



Lock nuts are NOT included with fittings.

# FITTINGS WITH METRIC METALLIC THREADS



## DESCRIPTION:

With similar characteristics to the standard polyamide connectors, the male metal metric thread connectors are notable for their higher mechanical resistance, being recommended in the most severe conditions. An internal plastic wall on the metal insert avoids a direct contact with the cables. Specially used in railway industry.

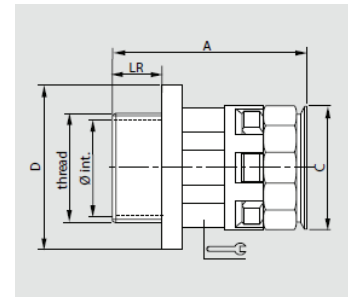
## SPECIFICATIONS:

- Made of specially modified polyamide (PA6)
- Nickel-plated brass thread
- Free of halogen, phosphorus and cadmium
- Self-extinguishing
- Shock-resistant
- Temperature range: -40°C to +105°C (150°C short term)
- IP66 protection (IP68/IP69 with O-Ring and Sealing Washer)
- “Easy-click” quick assembly and removal of the conduit without tools
- Color: Black

## METRIC METALLIC THREAD STRAIGHT FITTINGS



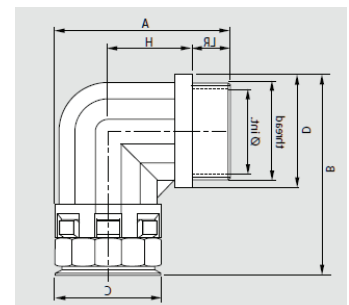
Size NW	Item ID	Thread Size	Dimensions mm (inches)				Std. Pkg.
			Ø INT	A	C	D	
12	AFM0-12M20B	M20x1.5	14.5 (0.571)	43 (1.693)	25 (0.984)	29 (1.142)	50
17	AFM0-17M20B	M20x1.5	14.5 (0.571)	47 (1.850)	30 (1.181)	29 (1.142)	30
23	AFM0-23M25B	M25x1.5	18.8 (0.740)	55 (2.165)	36 (1.417)	35 (1.378)	30
29	AFM0-29M32B	M32x1.5	25.8 (1.016)	56 (2.205)	44 (1.732)	43 (1.693)	20
36	AFM0-36M40B	M40x1.5	32.2 (1.268)	61 (2.402)	52 (2.048)	55 (2.165)	10
48	AFM0-48M50B	M50x1.5	42.0 (1.654)	62 (2.441)	69 (2.717)	67 (2.638)	10



## METRIC METALLIC THREAD 90° FITTINGS



Size NW	Item ID	Thread Size	Dimensions mm (inches)				Std. Pkg.
			Ø int	A	C	D	
12	AFM9-12M20B	M20x1.5	14.1 (0.555)	44 (1.732)	47 (1.850)	25 (0.984)	50
17	AFM9-17M20B	M20x1.5	14.1 (0.555)	50 (1.969)	58 (2.284)	30 (1.181)	50
23	AFM9-23M25B	M25x1.5	18.5 (0.728)	57 (2.244)	65 (2.560)	36 (1.417)	30
29	AFM9-29M32B	M32x1.5	25.5 (1.004)	69 (2.717)	75 (2.958)	45 (1.772)	10
36	AFM9-36M40B	M40x1.5	32.0 (1.260)	79 (3.110)	92 (3.622)	54 (2.126)	10
48	AFM9-48M50B	M50x1.5	42.3 (1.665)	94 (3.701)	102 (4.016)	68 (2.677)	5



Lock nuts are NOT included with fittings.



# FLANGE 90° FITTING



## DESCRIPTION:

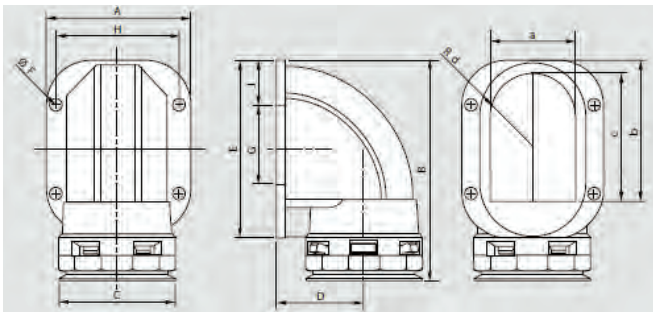
The flange connectors are useful for fixing the ends of flexible corrugated conduits to 90° cable entries in the interior of machines and for installations according to EN 60204 (Safety of Machinery). They are notable for their high tensile strength and tightness.

## SPECIFICATIONS:

- Made of specially modified polyamide (PA6)
- Free of halogen, phosphorus and cadmium
- Self-extinguishing
- Shock-resistant
- Temperature range: -40°C to +105°C (150°C short term)
- IP66 protection (IP68/IP69 with O-Ring and Sealing Washer)
- “Easy-click” quick assembly and removal of the conduit without tools
- Color: Black

## FLANGE 90° FITTINGS

Size NW	Item ID	Dimensions mm (inches)					Std. Pkg.
		A	B	C	D	E	
17	AFNF-17B	44 (1.732)	68 (2.677)	29 (1.142)	24 (0.945)	48 (1.890)	50
23	AFNF-23B	53 (2.087)	82 (3.228)	37 (1.457)	26 (1.024)	57 (2.244)	30
29	AFNF-29B	60 (2.3622)	89 (3.504)	45 (1.772)	32 (1.260)	66 (2.598)	10
36	AFNF-36B	70 (2.756)	104 (4.095)	53 (2.087)	38 (1.496)	76 (2.992)	10
48	AFNF-48B	80 (3.150)	118 (4.646)	67 (2.638)	46 (1.811)	82 (3.228)	5



Lock nuts are NOT included with fittings.



# SUPPORT WITH LID



## SPECIFICATIONS:

- Made of specially modified polyamide (PA6)
- Free of halogen, phosphorus and cadmium
- Self-extinguishing
- Shock-resistant
- With integrated lid
- Temperature range: -40°C to +105°C (150°C short term)

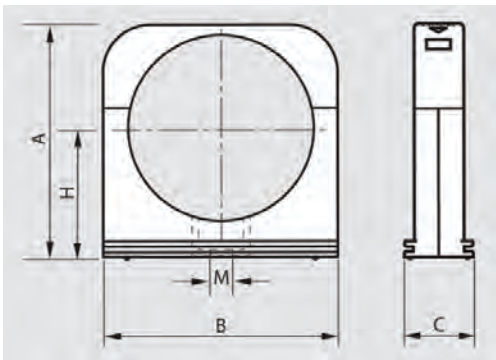
## DESCRIPTION:

Supports with integrated lid for securing sections of corrugated conduits between the various parts of the electrical installation. With conduit entry guide.

Specially designed for demanding securing situations, (e.g. on ceilings)

## SUPPORTS WITH INTEGRATED LIDS

Size NW	Item ID	Dimensions mm (inches)				Metric (m)	Std. Pkg.
		A	B	C	H		
7	ARNS-07NB	22 (0.866)	17 (0.669)	20 (0.787)	13 (0.512)	M4	100
10	ARNS-10NB	25 (0.984)	22 (0.866)	20 (0.787)	13 (0.512)	M5	100
12	ARNS-12NB	27 (1.063)	25 (0.984)	20 (0.787)	13 (0.512)	M5	100
17	ARNS-17NB	33 (1.299)	31 (1.221)	20 (0.787)	19 (0.748)	M5	100
23	ARNS-23NB	42 (1.654)	40 (1.575)	20 (0.787)	23 (0.906)	M6	50
29	ARNS-29NB	47 (1.850)	46 (1.811)	20 (0.787)	26 (1.024)	M6	30
36	ARNS-36NB	56 (2.205)	56 (2.205)	20 (0.787)	31 (1.221)	M6	20
48	ARNS-48NB	70 (2.756)	70 (2.756)	20 (0.787)	39 (1.535)	M6	10



# “T” AND “Y” DISTRIBUTORS



## SPECIFICATIONS:

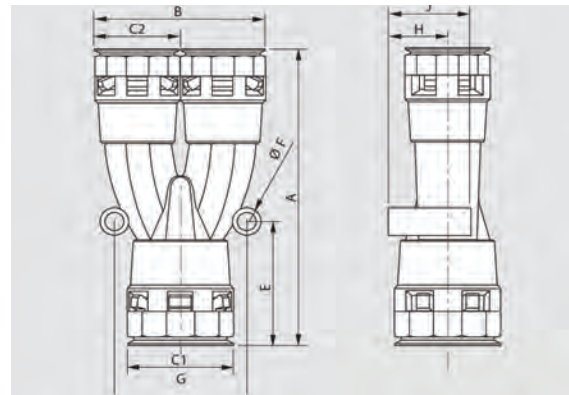
- Made of specially modified polyamide (PA6)
- Free of halogen, phosphorus and cadmium
- Self-extinguishing
- Shock-resistant
- Temperature range: -40°C to +105°C (150° short term)
- IP66 protection. IP68/IP69 with O-rings
- “Easy-click” quick assembly and removal of the conduit without tools

## DESCRIPTION:

ANA-QUICK ‘T’ and ‘Y’ Distributors can be used to split the conduit for connection of multiple points. These connections are shipped split, for easy assembly to the conduit. They come in various combinations to join different sizes of conduits.

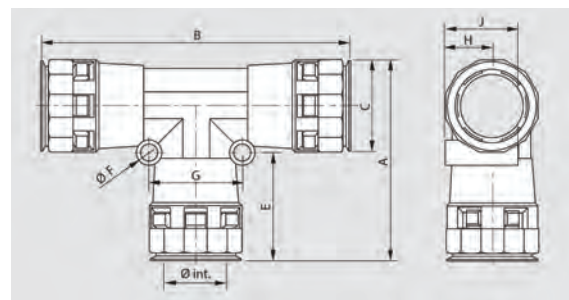
## “Y” DISTRIBUTOR

Item ID	For Conduit Size			Std. Pkg.
	A	B	C	
ARNY-171212	NW 17	NW 12	NW 12	1
ARNY-231717	NW 23	NW 17	NW 17	1
ARNY-292323	NW 29	NW 23	NW 23	1
ARNY-362929	NW 36	NW 29	NW 29	1
ARNY-483636	NW 48	NW 36	NW 36	1



## “T” DISTRIBUTOR

Item ID	For Conduit Size			Std. Pkg.
	A	B	C	
ARNT-101010	NW 10	NW 10	NW 10	1
ARNT-121212	NW 12	NW 12	NW 12	1
ARNT-171717	NW 17	NW 17	NW 17	1
ARNT-232323	NW 23	NW 23	NW 23	1
ARNT-292929	NW 29	NW 29	NW 29	1
ARNT-363636	NW 36	NW 36	NW 36	1



# LOCK NUTS



## DESCRIPTION:

Polyamide hexagonal metric thread lock nuts for securing connectors in thin or not threaded walls of boxes and cabinets. Made of specially modified polyamide (PA6). Free of halogen, phosphorus, and cadmium. Self-extinguishing and shock-resistant. Temperature range of -40°C to +105°C (+150°C short term).

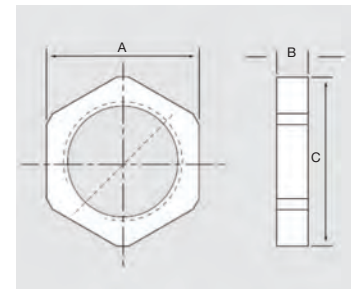


## DESCRIPTION:

Nickel plated brass hexagonal female thread lock nuts for securing connectors and elbows in thin or not threaded walls of boxes and cabinets. Maximum temperature is +800°C.

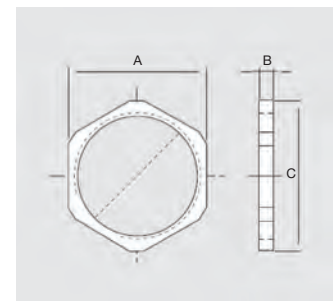
## NYLON LOCK NUT

Item ID	Thread Size	Dimensions in mm (inches)			Std. Pkg.
		A	B	C	
ATNL-M12B	M12x1.5	18 (0.709)	17 (0.669)	5 (0.197)	100
ATNL-M16B	M16x1.5	24 (0.945)	22 (0.866)	5 (0.197)	100
ATNL-M20B	M20x1.5	28 (1.102)	26 (1.024)	6 (0.236)	100
ATNL-M25B	M25x1.5	35 (1.378)	32 (1.260)	6 (0.236)	100
ATNL-M32B	M32x1.5	47 (1.850)	42 (1.654)	7 (0.276)	100
ATNL-M40B	M40x1.5	57 (2.244)	52 (2.047)	7 (0.276)	50
ATNL-M50B	M50x1.5	68 (2.677)	62 (2.441)	9 (0.354)	50



## NICKEL PLATED BRASS LOCK NUT

Item ID	Thread Size	A	B	C	Std. Pkg.
ATSL-M12M	M12x1.5	17 (0.669)	15 (0.591)	3 (0.118)	100
ATSL-M16M	M16x1.5	22 (0.866)	20 (0.787)	3 (0.118)	100
ATSL-M20M	M20x2.5	27 (1.063)	24 (0.945)	3.5 (0.138)	100
ATSL-M25M	M25x1.5	33 (1.299)	30 (1.181)	3.5 (0.138)	100
ATSL-M32M	M32x1.5	38 (1.496)	35 (1.378)	4.5 (0.177)	100
ATSL-M40M	M40x1.5	49 (1.929)	45 (1.772)	4.5 (0.177)	50
ATSL-M50M	M50x1.5	60 (2.362)	55 (2.165)	5.5 (0.217)	20





# O-RINGS

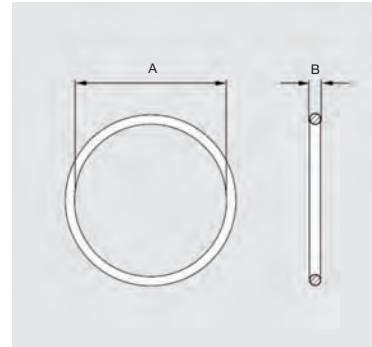


## DESCRIPTION:

O-rings are to be placed on the first groove at the end of ANA-QUICK corrugated conduits in order to obtain a degree of protection up to IP68/IP69 between the conduit and the connector. Temperature range is -30°C to +100°C.

## O-RINGS

Item ID	ND	Dimensions in mm (inches)		Std. Pkg.
		A	B	
AROR-07B	7	6.35 (0.250)	1.3 (0.051)	100
AROR-10B	10	10.0 (0.394)	1.3 (0.051)	100
AROR-12B	12	11.5 (0.453)	1.5 (0.059)	100
AROR-17B	17	16.0 (0.630)	1.8 (0.071)	100
AROR-23B	23	22.0 (0.866)	2.0 (0.079)	50
AROR-29B	29	29.0 (1.142)	2.0 (0.079)	30
AROR-36B	36	34.0 (1.339)	2.3 (0.091)	20
AROR-48B	48	44.6 (1.756)	2.4 (0.095)	10



# SEALING WASHERS

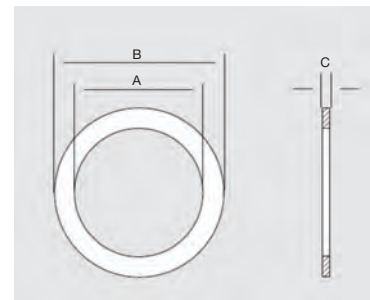


## DESCRIPTION:

Sealing Washers allow the entry of cables into housings (boxes, cabinets, etc.) with a degree of protection up to IP68 or IP69 between the housing and the connector's base. Temperature range is -40°C to +200°.

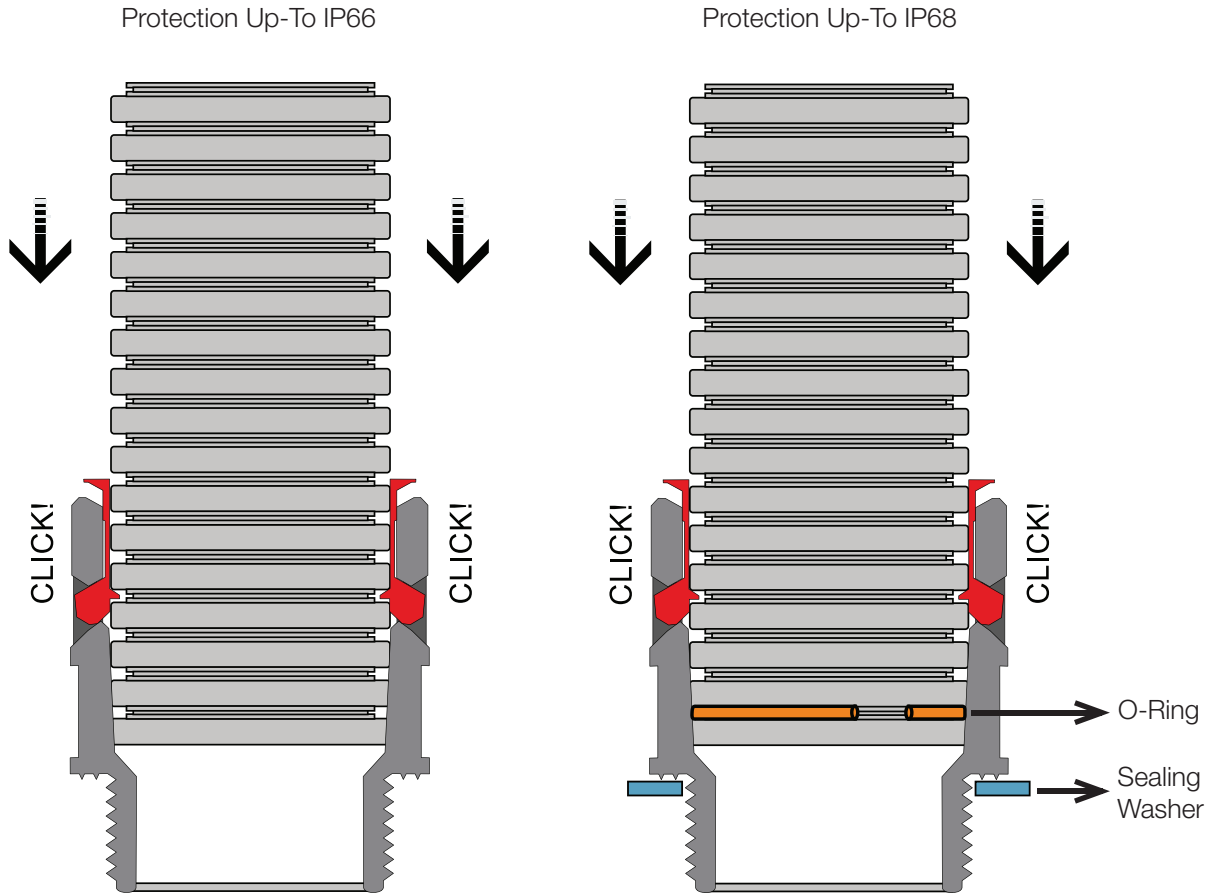
## SEALING WASHERS

Item ID	For Thread	Dimensions in mm (inches)			Std. Pkg.
		A	B	C	
ARSW-M12M	M12x1.5	12 (0.472)	18 (0.709)	1.5 (0.059)	100
ARSW-M16M	M16x1.5	16 (0.630)	22 (0.866)	1.5 (0.059)	100
ARSW-M20M	M20x1.5	20 (0.787)	27 (1.063)	1.5 (0.059)	100
ARSW-M25M	M25x1.5	25 (0.984)	35 (1.378)	1.5 (0.059)	50
ARSW-M32M	M32x1.5	32 (1.260)	43 (1.693)	1.5 (0.059)	30
ARSW-M40M	M40x1.5	40 (1.579)	55 (2.165)	1.5 (0.059)	20
ARSW-M50M	M50x1.5	50 (1.969)	69 (2.717)	1.5 (0.059)	10



# HOW TO ACHIEVE AN IP68/IP69 RATING

FIRST, INSERT AN O-RING ON THE FIRST GROOVE OF THE CONDUIT, THEN A SEALING WASHER ON THE THREAD AT THE BASE OF THE CONNECTOR.

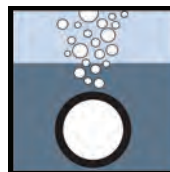


IP66



With the connector alone

IP68



IP69



With the connector combined with an O-Ring and Sealing Washer

# OTHER PRODUCTS AVAILABLE FROM ANAMET

## LIQUIDTIGHT CONDUITS:

### Conseal Metallic Flexible Conduits

Type CSA	Canada's standard in CSA Approved Flexible Conduit
Type CW	Computer Blue CSA Approved
Type HTC	High Temperature Flexible Conduit

### Sealtite Metallic Flexible Conduits:

Type EFST	Extra Flexible Conduit
Type UA-CSA	Dual Rated CSA and UL Conduit
Type OR	Oil Resistant Conduit
Type MTC	Metallic Machine Tool Conduit
Type HC	High Temperature Conduit
Type HTUA	High Temperature, UL Approved Conduit
Type HCX	High and Low Temperature Conduit
Type EFL	Aluminum Core Conduit
Type ZHUA	Low Smoke, Zero Halogen UL approved Conduit
Type Shieldtite	High EMI/EMP Shielded Conduit
Type NWC	Nuclear Radiation Resistant Conduit

### Sealtite Non-Metallic Conduits

Type NMUA	CSA / UL Conduit
Type NMEF	Extra Flexible OEM Tubing
Type CNP	Type A CSA/UL Orange Conduit

## NON-JACKETED CONDUITS:

### Aluminum - No Jacket:

CSA Aluminum	CSA approved flexible Conduit
RW Aluminum	UL approved flexible Conduit
RW Steel	UL approved steel flexible Conduit

### Galvanized Steel - No Jacket

Type DSL	Extra Flexible OEM Conduit
Type DE-710/183	Extra Flexible Heavy Duty Conduit

### Stainless Steel

Type SL	Standard Duty OEM Conduit
Type UI Cap	Heavy Duty OEM Conduit

## PROTECTIVE SLEEVING:

### Firetech Protective Sleeving

Sleeve, Wrap, Tape	Extreme temperature sleeving, wrap, tape and blanket
--------------------	--

## CONNECTORS:

LT Series	For Conseal and Sealtite conduits
SSLT Series	SS Connectors for Conseal and Sealtite conduits
NMLT Series	For Type NMUA and NMEF conduits
STNM Series	For Type CNP conduit

Contact your local rep, or the factory to be sent our complete catalog.

[www.anacondasealtite.com](http://www.anacondasealtite.com)

[www.anametcanada.com](http://www.anametcanada.com)





**ANAMET** 

**ANA-QUICK**<sup>®</sup> Nylon



1-800-363-FLEX (3539)  
[WWW.ANA-QUICK.COM](http://WWW.ANA-QUICK.COM)  
[SALES@ANA-QUICK.COM](mailto:SALES@ANA-QUICK.COM)